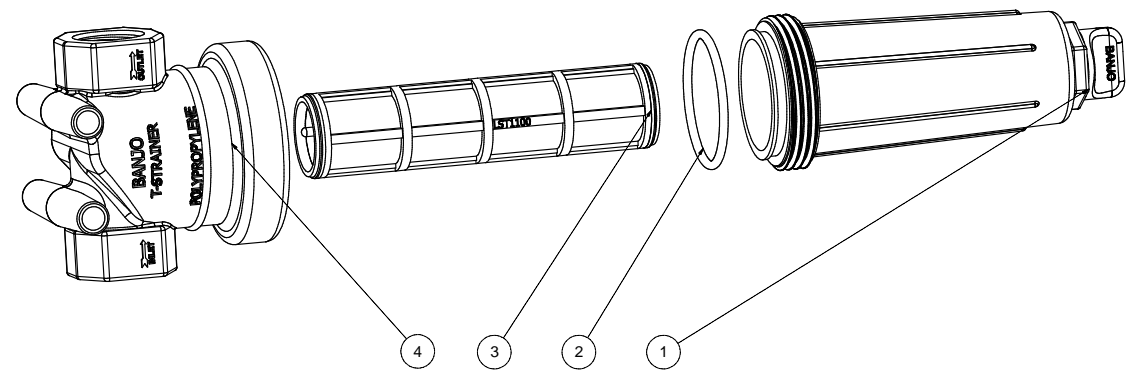


Parts List			
ITEM	QTY	PART NUMBER	DESCRIPTION
1	1	LST100-B	3/4" & 1" T-STRAINER BOWL
2	1	LST100-G	#226 O-RING
3	1	LST1100	1" LST SCREEN - 100 MESH
4	1	LST075-H	3/4" T-STRAINER HEAD

\*NOTE:  
ADDITIONAL CLEARANCE REQ'D  
FOR SCREEN REMOVAL: 5 3/4"



THIS DRAWING AND ALL INFORMATION CONTAINED THEREON ARE THE EXCLUSIVE PROPERTY OF BANJO CORPORATION.  
  
UNLESS SPECIFICALLY NOTED, THIS DRAWING AND ITEMS SHOWN ON THIS DRAWING ARE SUBJECT TO CHANGE AT ANY TIME.



**BANJO CORPORATION**

BANJO CORPORATION  
150 BANJO DRIVE, CRAWFORDSVILLE, IN 47933  
WEB SITE: WWW.BANJOCORP.COM  
E-MAIL: BANJOSALES@IDEXCORP.COM

DESCRIPTION	3/4" T-STRAINER, 100 MESH
PART NUMBER	LST075-100